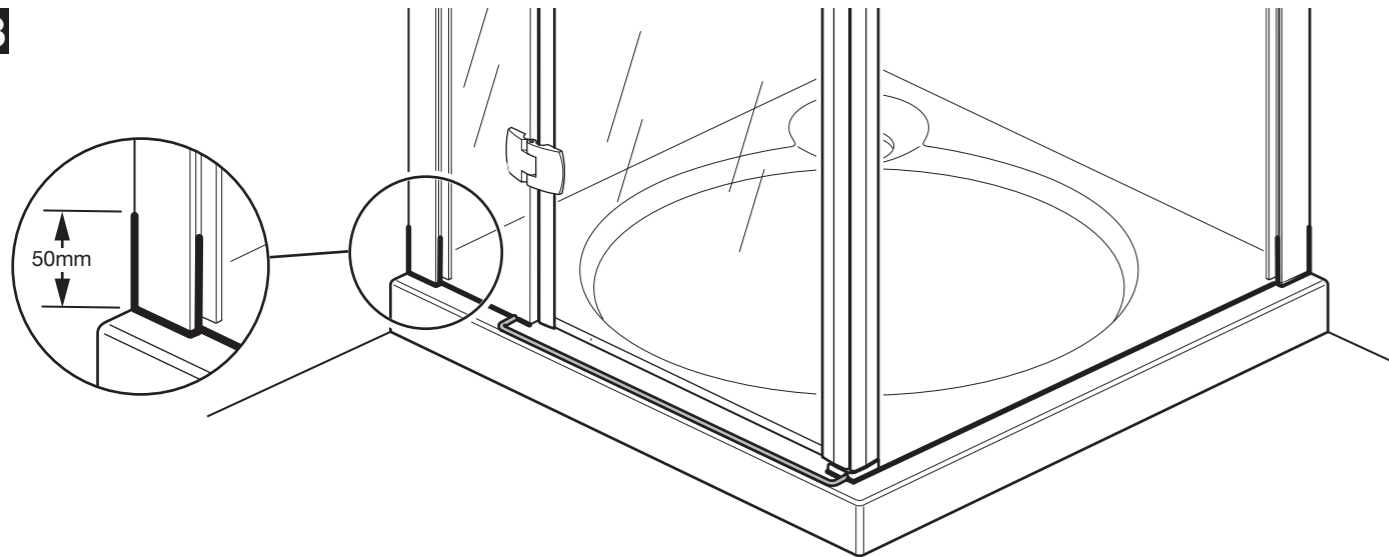


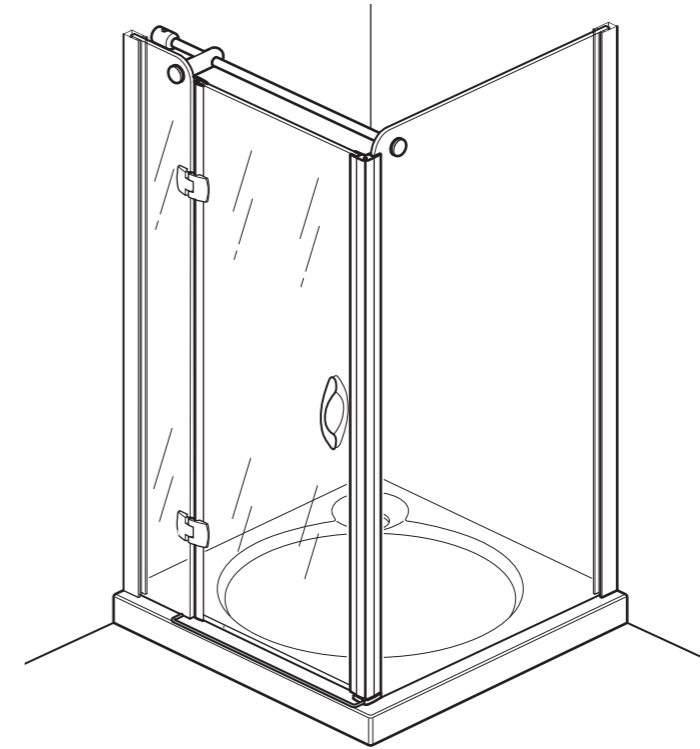
18



On the OUTSIDE of the enclosure, apply sealant to the bottom of the enclosure and 50mm up the wall channels and vertical joints as shown.

On the INSIDE of the enclosure, only apply sealant to the bottom of the fixed panel and 50mm up the fixed panel wall channel and vertical joint.

FRAMELESS CORNER ENCLOSURE



**Please read these instructions carefully and keep for future reference.
Incorrect fitting will invalidate the guarantee.**

⚠ SAFETY

- Handle glass with great care. Although the glass is very tough, sharp impacts can damage both the glass and metal frame.
- Make sure there are no hidden pipes or cables hidden in the wall where you intend to drill.
- Wear safety goggles, shoes and appropriate clothing.

⚠ BEFORE INSTALLATION

- Check that the shower tray is level in all directions. The enclosure will not sit correctly on an uneven surface. If uneven, the wall channels may not fit and the doors may not shut correctly.
- The enclosure should be fitted on tiled walls which are sealed with waterproof grout.
- There must be a good silicone seal between the rim of the shower tray and the wall.
- The shower tray and the enclosure must match in size. Attempting to fit the incorrect size of enclosure to the shower tray will result in water leaks.
- Always check very carefully that components are vertical.
- To avoid damage, use the opened out packaging to build the enclosure on.
- As the parts are large, we recommend that two people are needed to carry out parts of the installation.

Equipment needed:

Drill, 6mm Masonry Bit, 3mm Metal Bit (general), Crosshead Screwdriver, 5mm Allen Key, Spirit Level, Pencil, Fine Tooth Saw, Scissors, Silicone Sealant, Tape Measure.

Note: The screws and wall plugs supplied are for masonry walls. For lightweight walls i.e. stud partition, plasterboard etc, use the correct type of fixings.

IMPORTANT: You must not use the shower for 24 hours after installation of the enclosure.

DO NOT use bleach, scouring powders, solvents or other aggressive cleaning agents. To clean, use warm soapy water and a clean cloth and rinse off.

Please note: There has been a glass coating applied to this product, use a squeegee to remove water and debris.

Periodically check all fixings and tighten if necessary.

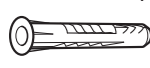



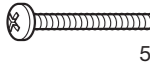



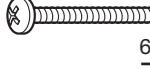


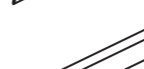






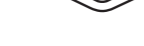
CORAM SHOWERS LTD

Stanmore Industrial Estate, Bridgnorth, Shropshire WV15 5HP, UK • Tel: 01746 766466 • Fax: 01746 764140 • www.coram.co.uk

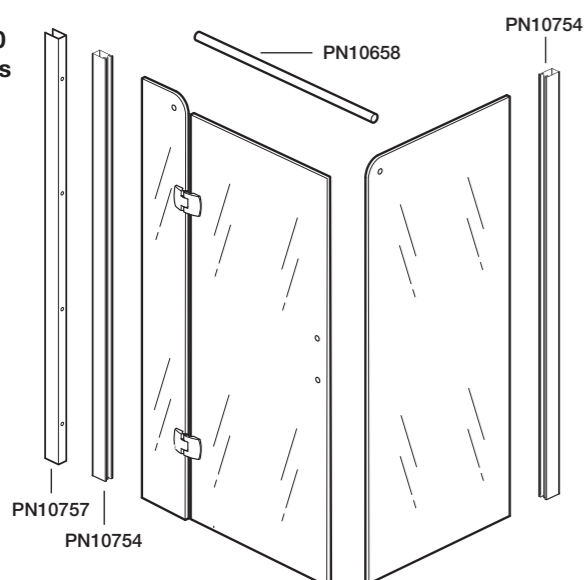
CUSTOMER CARELINE 01746 713410

Check contents of pack before installation. If there is anything missing, contact our Customer Careline for assistance.
Note: The screw pack may contain extra coloured mouldings, please select the appropriate colour to match the frame finish.

CUSTOMER CARELINE: 01746 713410

 PN60210	9	 PN80456	2	 PN40166	4	 PN40172 PN40173	1/1
 PN8211	5	 PN60249	1	 PN80477	1	 PN40174	1
 PN60020	4	 PN50278	1	 PN60220	1	 800 = PN40167	1
 PN3240	10	 PN60318	4	 800 = PN40171	1	 Others = PN40168	1
 PN50285	1	 PN50281 PN50282	1/1	 2 & 3mm	1		1/1

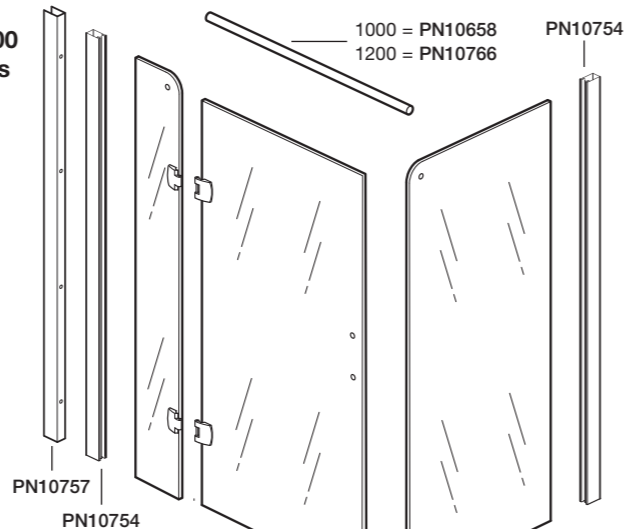
800 & 900 Doors Only



Door sizes:
 800 Door = 760 - 800mm
 900 Door = 860 - 900mm

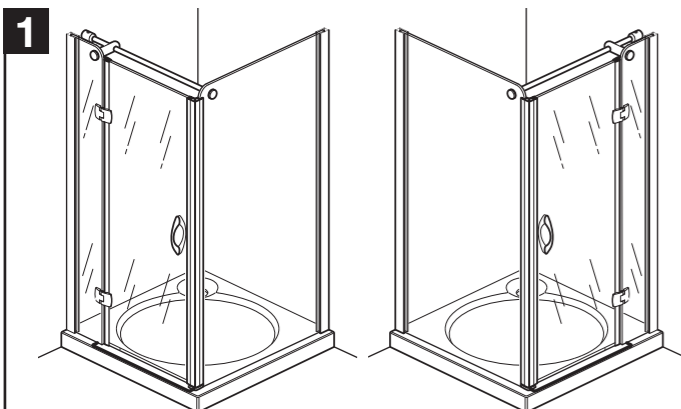
Side panel sizes:
 800 Side panel = 772 - 794mm
 900 Side panel = 872 - 894mm

1000 & 1200 Doors Only

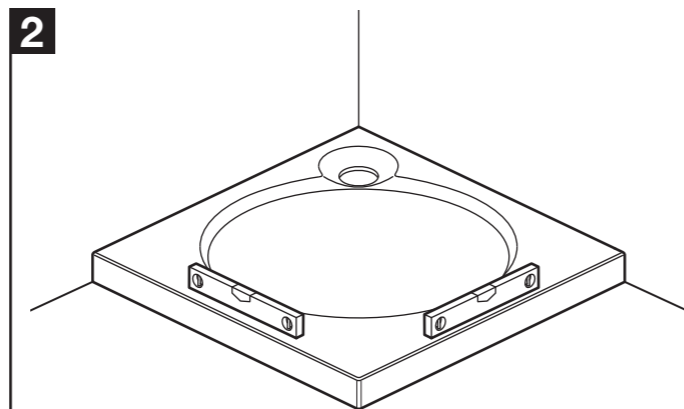


Door sizes:
 1000 Door = 960 - 1000mm
 1200 Door = 1160 - 1200mm

Side panel sizes:
 800 Side panel = 772 - 794mm
 900 Side panel = 872 - 894mm

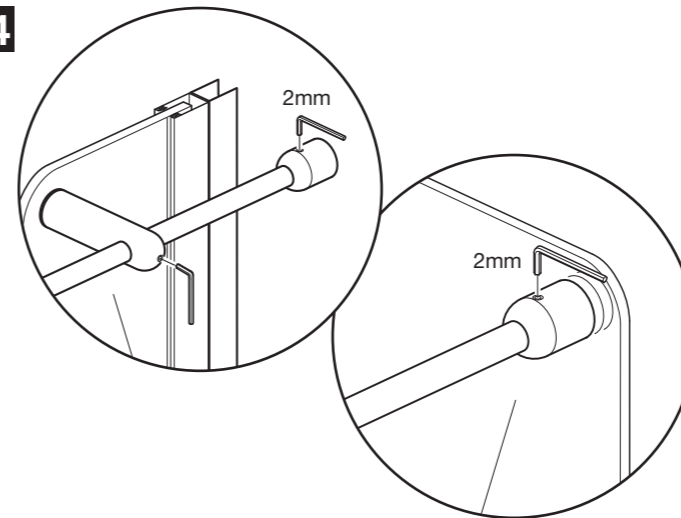


The door is supplied either left or right hand opening. This instruction shows the installation of a left hand door.



Ensure the shower tray is level in all directions.

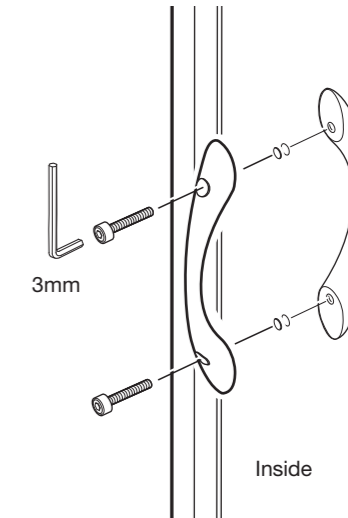
14



Check that the door and side panels are vertical and parallel with the edge of the tray. From inside tighten the grub screws on the rail bracket assembly and wall bracket covers.

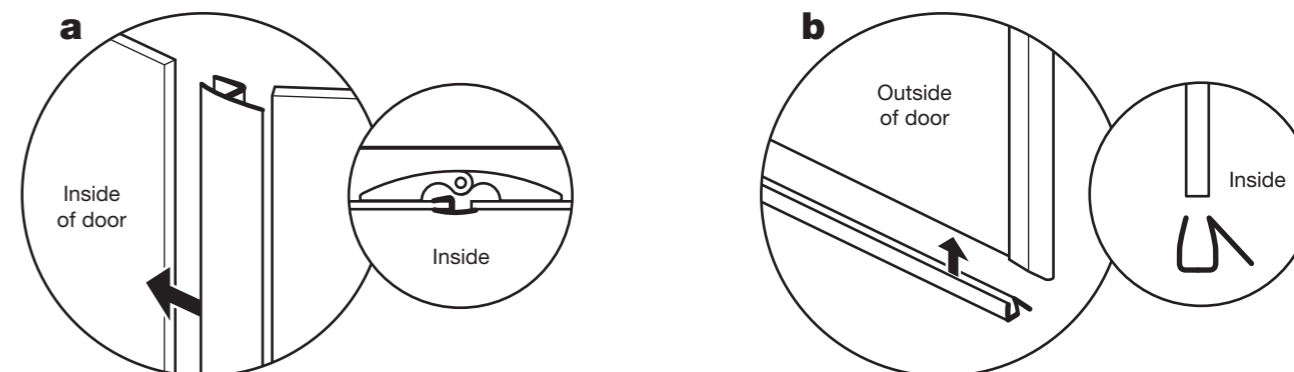
Remove the setting tool from under the door.

15



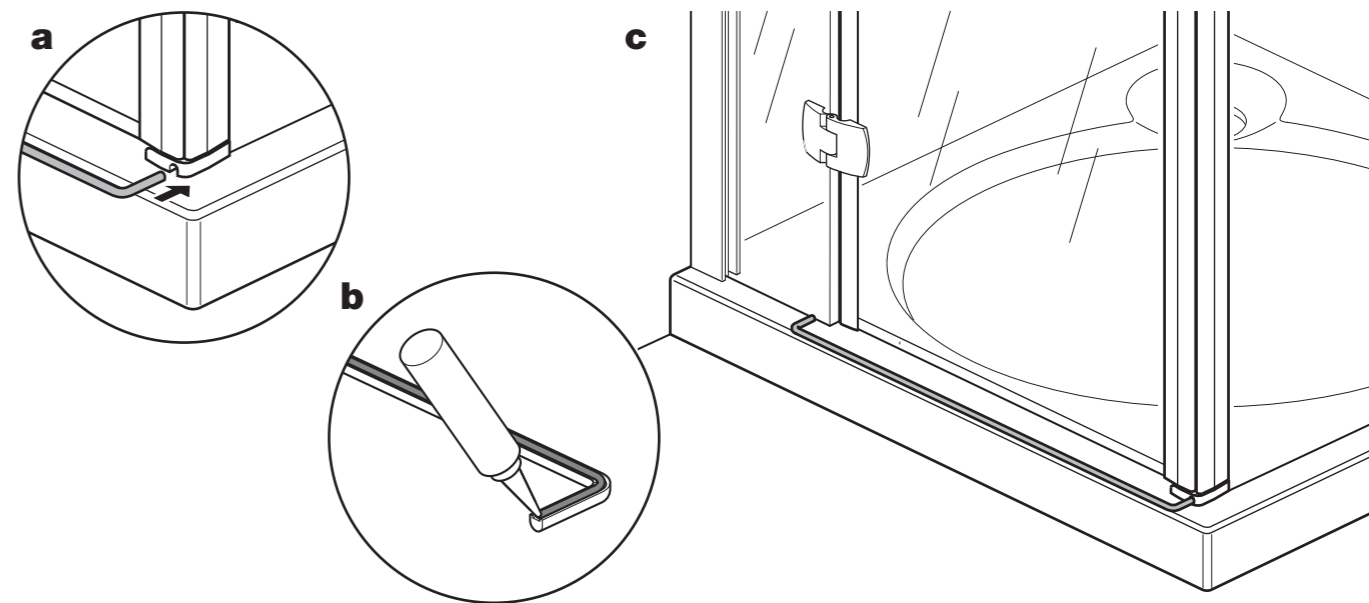
Fit the handles to the door, with the screws on the inside.

16

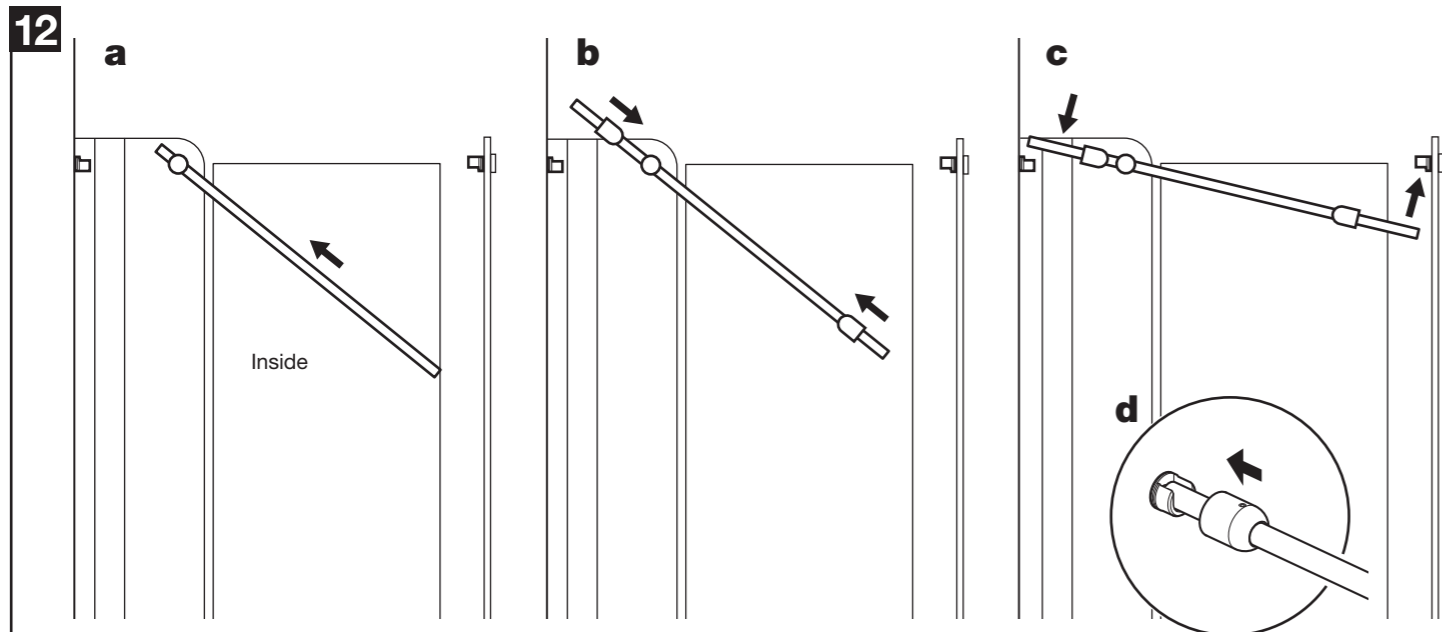


a: Push fit the door seal onto the back edge of the door with the flap on the inside. Trim to length if required.
b: Push fit the flipper seal to the bottom of the door with the flap on the inside. Trim to length if required.

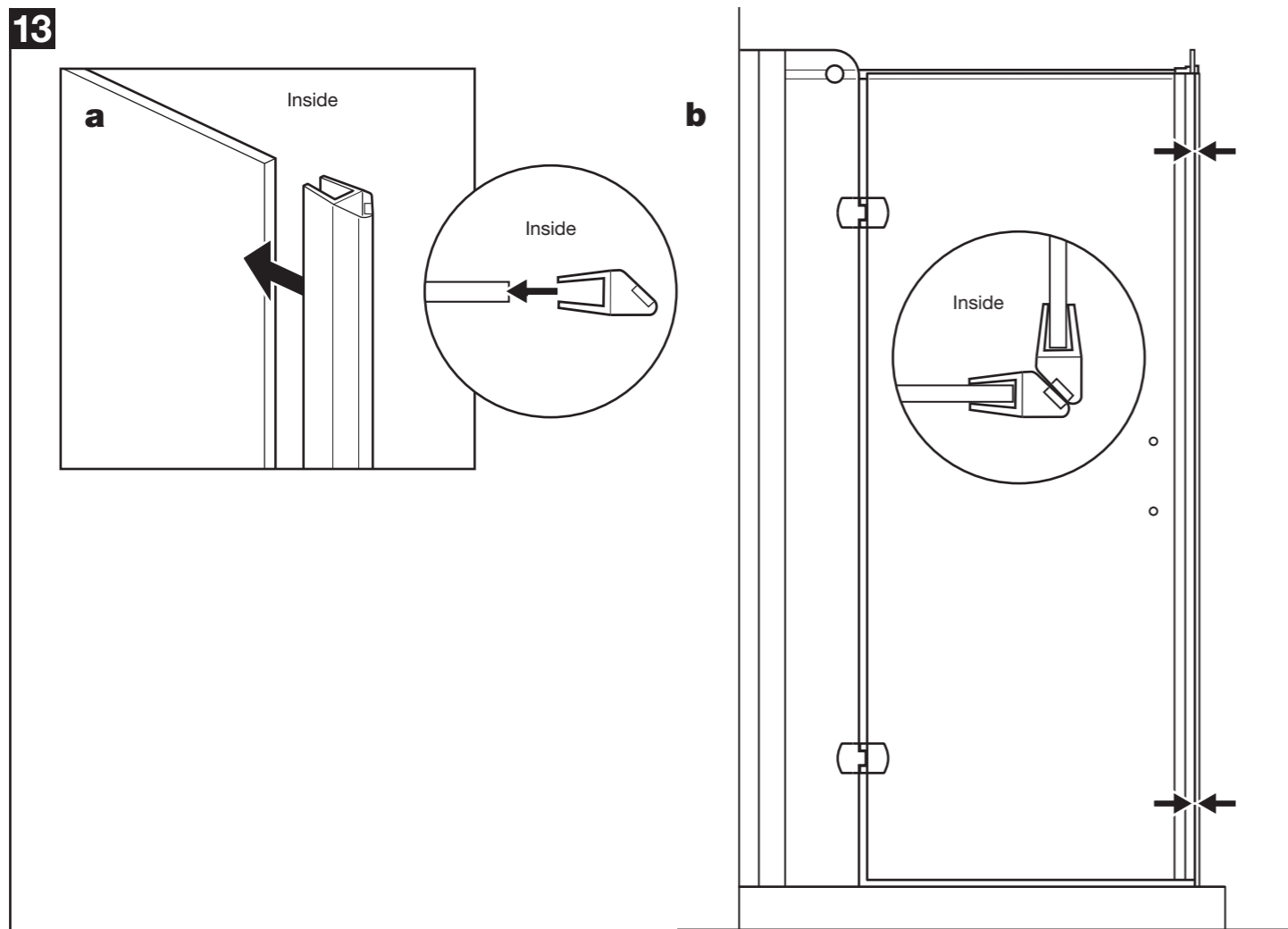
17



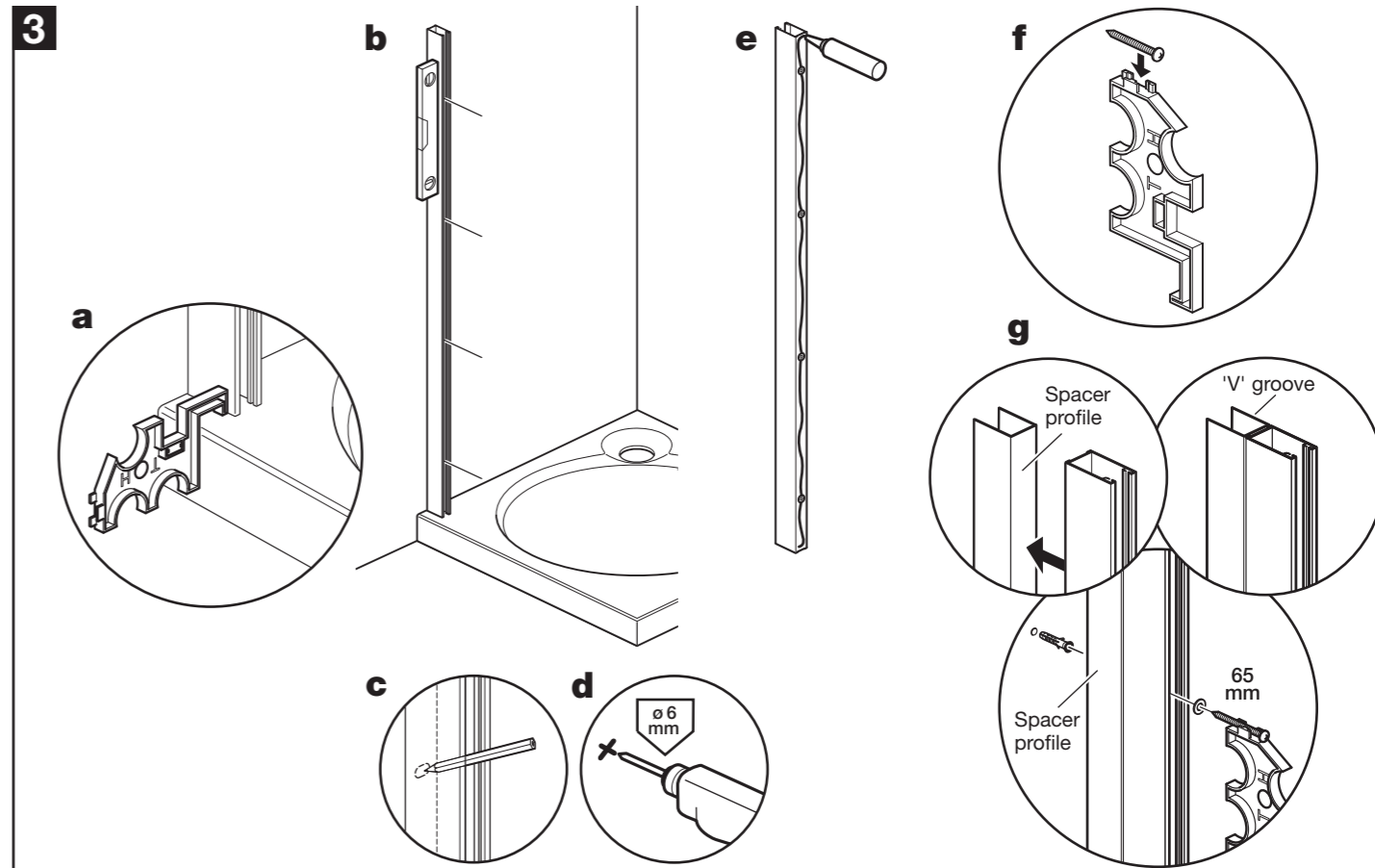
a: Trial fit the 'threshold strip' in position on the tray inserting one end into the 'threshold strip moulding'. Ensure the threshold strip is parallel with the front of the tray. **b:** Apply silicone sealant to the underside of the threshold strip (in the groove). **c:** Carefully re-fit the threshold strip in position on the tray.



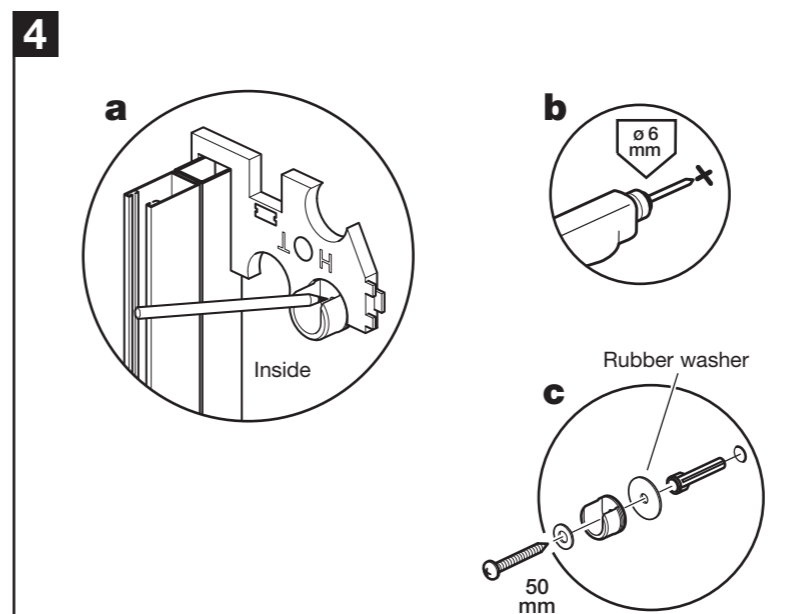
a: From inside the enclosure, slide the support rail up through the rail bracket assembly (angle rail as shown). **b:** Slide wall bracket covers onto each end of the support rail. **c:** Rotate the support rail until the ends locate into the inner wall brackets. **d:** Slide the wall bracket covers to the end of the support rail and screw onto the inner wall brackets.



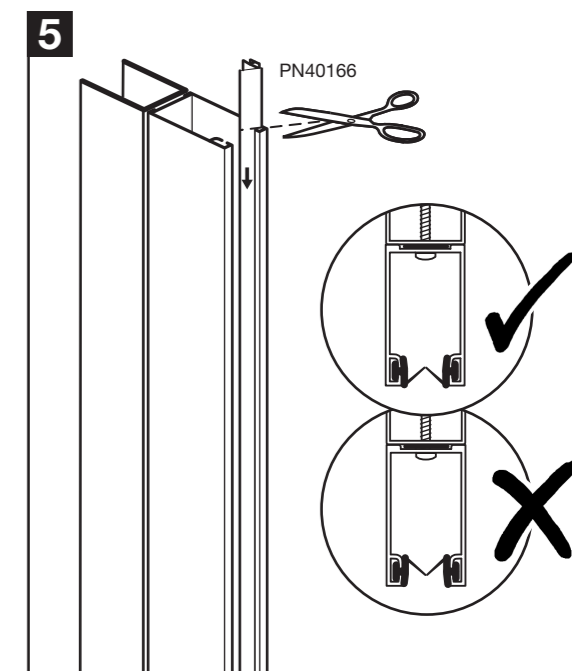
a: Push fit the remaining magnetic seal fully onto the opening end of the door, ensuring the seal is the correct way around. Trim to fit if required. **b:** Adjust the door and side panel so the magnetic seals meet down their full length when the door is closed.



a: Use the setting tool (as shown) to correctly position the 'door' wall channel on the tray. **Note:** The 'V' groove on the spacer profile should be on the inside of the enclosure. **b:** Ensure the wall channel is vertical. **c:** Mark all four holes onto the wall. **d:** Drill all four positions marked using a 6mm drill bit. **e:** Apply silicone sealant to the back of the wall channel. **f:** Place the 65mm screws in the setting tool as shown, this will help to insert the screws. **g:** Insert the wall plugs. Place the spacer profile and wall channel against the wall as shown. Place washers over the 65mm screws and fix the wall channel and spacer profile to the wall.



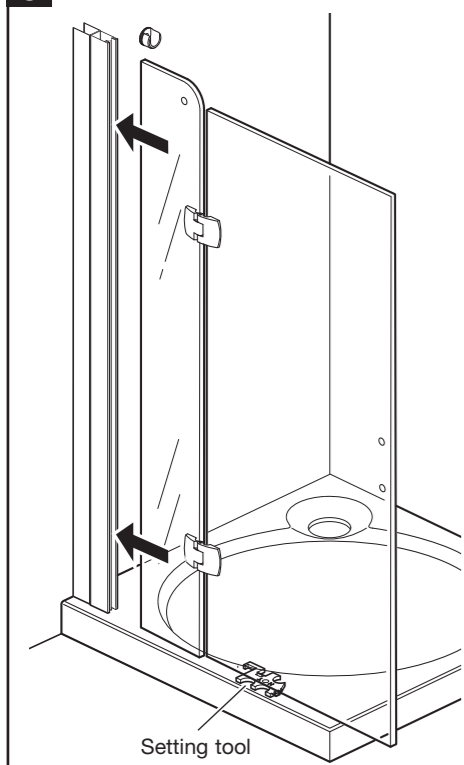
a: Place setting tool over top of left wall channel/spacer profile. Unscrew the inner wall brackets from inside the wall bracket covers. Place the inner wall bracket in the tool as shown (inside the enclosure). Mark centre of slotted hole on to the wall. **b:** Remove and drill 6mm hole. **c:** Insert wall a plug and attach inner wall bracket using 50mm screw and washer. **Note:** Ensure the rubber washer is against the wall.



Slide the seals down into the fitted wall channel and cut off any excess.

Note the orientation of the soft flippers.

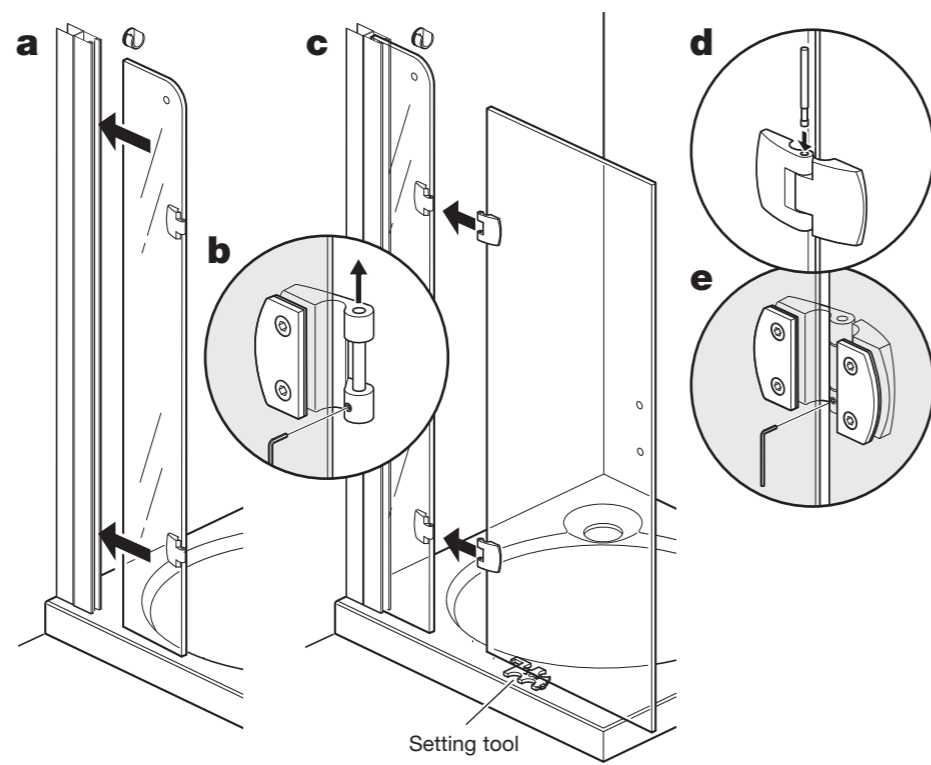
6 800 & 900 Doors Only



800 & 900 Doors Only: With help, carefully push the fixed panel/door fully into the wall channel. **Note:** Wetting the edge of the glass with water will help the panel insert.

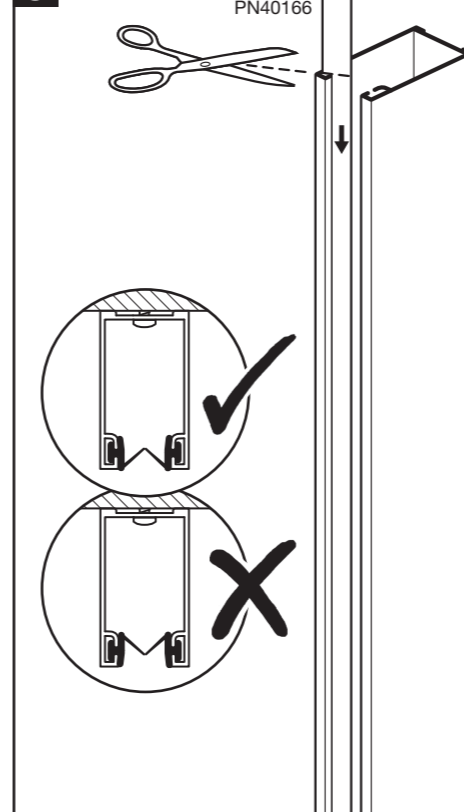
Note: Place the setting tool on the tray (under where the door will be positioned), this will help support the door until fixed.

1000 & 1200 Doors Only



1000 & 1200 Doors Only: **a:** With help, carefully push the fixed panel fully into the wall channel. **Note:** Wetting the edge of the glass with water will help the panel insert. **b:** Loosen the grub screws and remove both pivot pins from the door hinges. **c:** Carefully position the door/hinges onto the fixed panel. **Note:** Place the setting tool on the tray (under where the door will be positioned), this will help support the door until fixed. **d:** Re-insert both pivot pins into the hinges. Ensure the pins are re-inserted the same way around as when removed (when fitted, the groove in the pin will line up with the grub screw). **e:** From inside re-tighten the hinge grub screws.

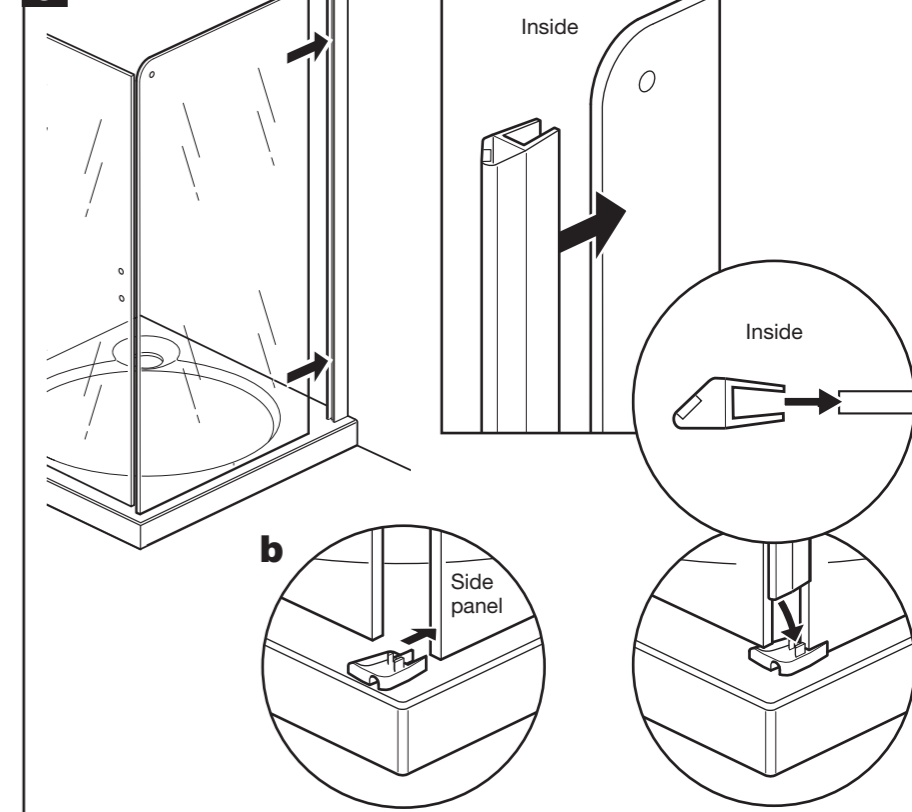
8



Slide both seals down into the wall channel and cut off any excess.

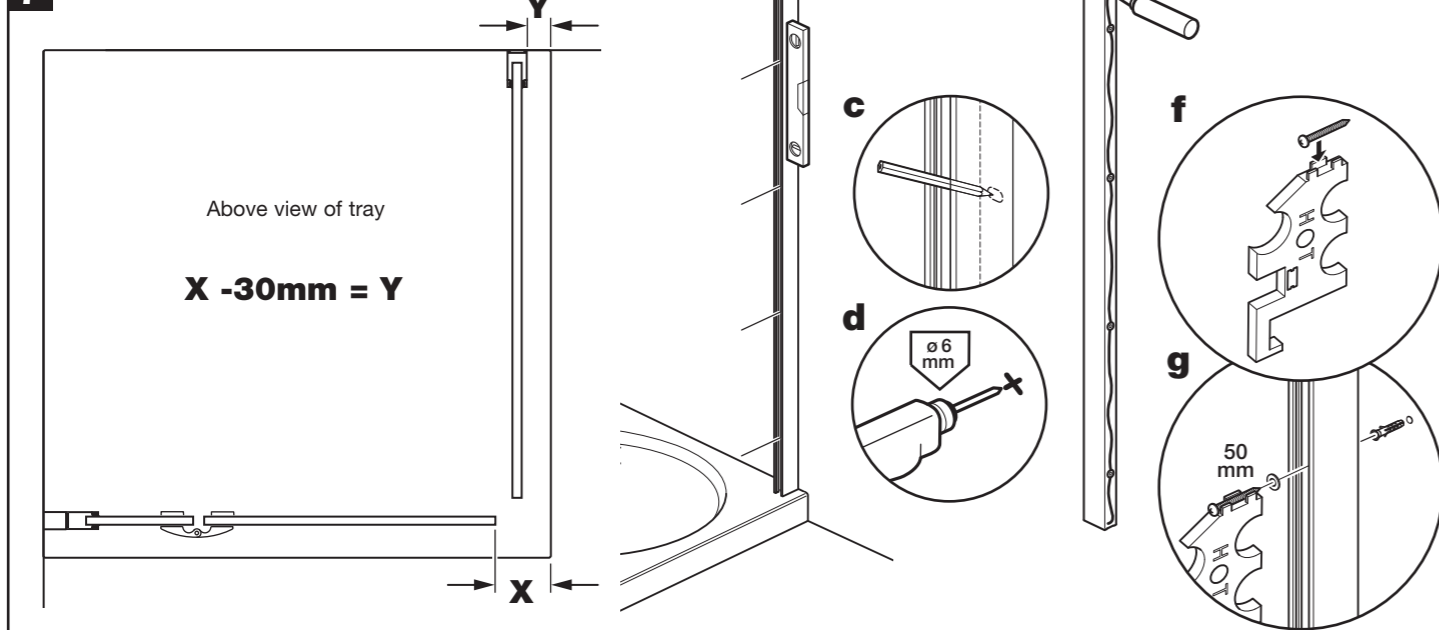
Note the orientation of the soft flippers.

9



a: With help, carefully push the side panel fully into the wall channel. **Note:** Wetting the edge of the glass with water will help the panel insert. **b:** Position the correctly handed 'threshold strip moulding' up against the front edge of the side panel. **c:** Push fit the magnetic seal fully onto the edge of the side panel. Ensure the seal is the correct way around and locates onto the 'threshold strip moulding'.

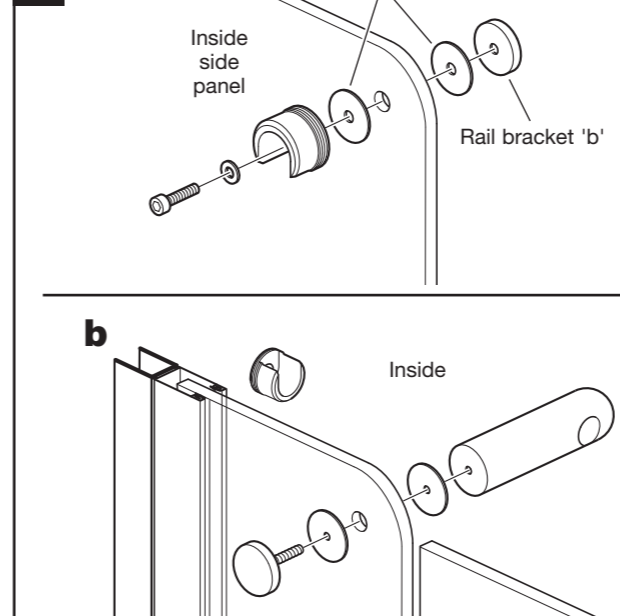
7



a: Carefully measure the distance between the edge of the door and the edge of the tray = 'X'. Take 30mm away from 'X', this gives you 'Y', the position of the side panel wall channel.

b: Ensure the wall channel is vertical. **c:** Mark all four holes onto the wall. **d:** Drill all four positions marked using a 6mm drill bit. **e:** Apply silicone sealant to the back of the wall channel. **f:** Use the setting tool to help insert the 50mm screws. **g:** Insert the wall plugs. Place the wall channel against the wall. Place washers over the 50mm screws and fix the wall channel to the wall.

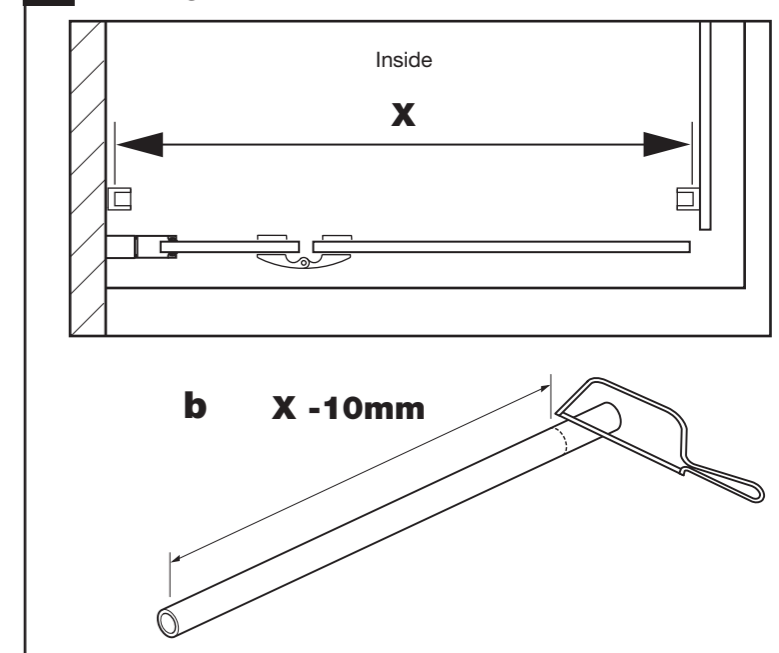
10



a: Attach the rail bracket 'b' and inner wall bracket to the side panel using the 20mm allen bolt and washer. **Note:** Ensure rubber washers are fitted next to the glass and that the inner wall bracket is upside down as shown.

b: Loosely attach the rail bracket assembly to the inside of the fixed panel/door.

11



Ensure the side panel is perfectly vertical and parallel with the edge of the tray.

a: Carefully measure the distance 'X' between the 'inner face' of the inner wall brackets.

b: If required, trim the support rail to length: X - 10mm.